



BAFFLE

Panel with polyester internal padding with Snowsound® technology variable density. Polyester covering in Trevira CS® Fabric. Equipped with kit for ceiling suspended panels. Panel can be hung in either horizontal or vertical orientation. Cylindrical fasteners to be positioned alongside top edge of the panel.



- Polyester internal padding with Snowsound technology, polyester covering in Trevira CS® fabric
- Single material and 100% recyclable
- Eco friendly - Greenguard Gold
- Durable, tackable double-sided surface
- Patented variable density composition
- Class A sound absorption with NRC 1.0 (ISO 354/ASTM C423/ISO 11654)
- Absorbs 94% of human speech frequencies
- Class A fire and smoke safety (UL 723/ASTM E84)
- CAL 133, 117 pass
- Sleek profile at only 1.4" thick
- Ceiling suspended
- CE certified for ceiling application

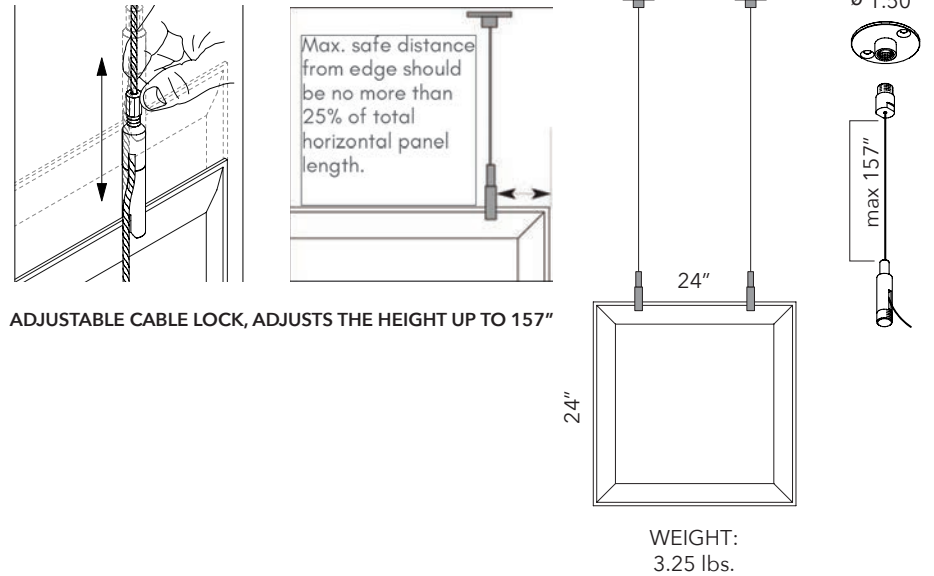
BAFFLE 24"x 24" - COMPLETE KIT

STANDARD COLORS	COLOR	PART #	COLOR	PART #	SPECIAL ORDER	COLOR	PART #	
	WHITE	40023058		OLIVE GREEN	40023066		RED	40023065
	SILVER GRAY	40023059		BEIGE	40023063		SUN YELLOW	40023064
	CARROT ORANGE	40023062		DOVE GRAY	40023061		APPLE GREEN	40023067
	CHARCOAL GRAY	40023060		BLUE	40023068		BLACK	40023069













Special Order Colors Require:

- Minimum order quantity
- Lead time up to 10-12 weeks

Kit includes: (1) 24 x 24 inch panel, (2) chrome ceiling plates, (2) steel cables, (2) adjustable cable locks, (2) panel fasteners



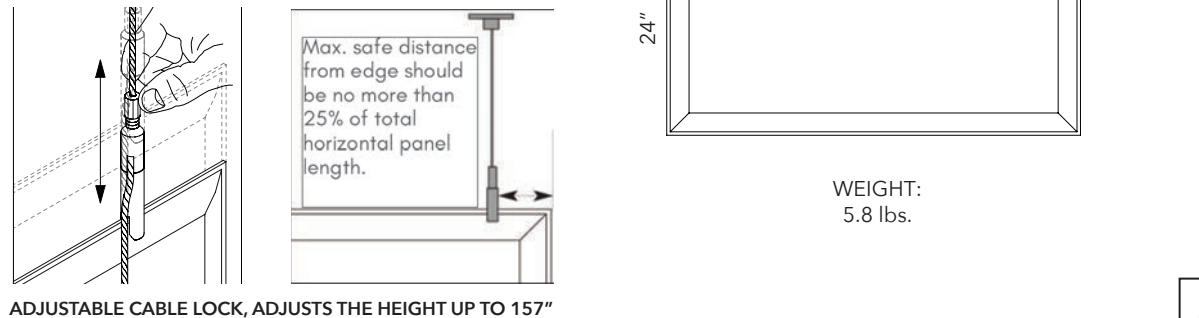
BAFFLE 24"x 48" - COMPLETE KIT

STANDARD COLORS	COLOR	PART #	COLOR	PART #	SPECIAL ORDER	COLOR	PART #	COLOR	PART #		
	WHITE	40023070		OLIVE GREEN	40023078		RED	40023077		BLACK	40023081
	SILVER GRAY	40023071		BEIGE	40023075		APPLE GREEN	40023079			
	CARROT ORANGE	40023074		CHARCOAL GRAY	40023072		BLUE	40023080			
	SUN YELLOW	40023076				DOVE GRAY	40023073				

Special Order Colors Require:

- Minimum order quantity
- Lead time up to 10-12 weeks

Kit includes: (1) 24 x 48 inch panel, (2) chrome ceiling plates, (2) steel cables, (2) adjustable cable locks, (2) panel fasteners



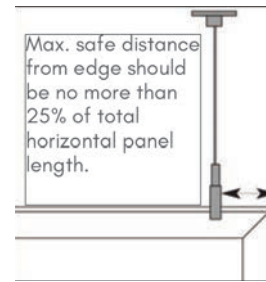
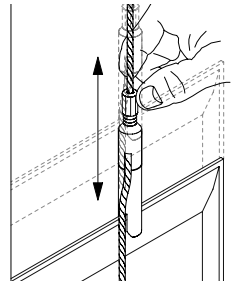
BAFFLE 24"x 63" - COMPLETE KIT

STANDARD COLORS	COLOR	PART #	COLOR	PART #	SPECIAL ORDER	COLOR	PART #
	WHITE	40023082		OLIVE GREEN 40023090		RED	40023089
	SILVER GRAY	40023083		BEIGE 40023087		SUN YELLOW	40023088
	CARROT ORANGE	40023086		DOVE GRAY 40023085		APPLE GREEN	40023091
	CHARCOAL GRAY	40023084		BLUE 40023092		BLACK	40023093

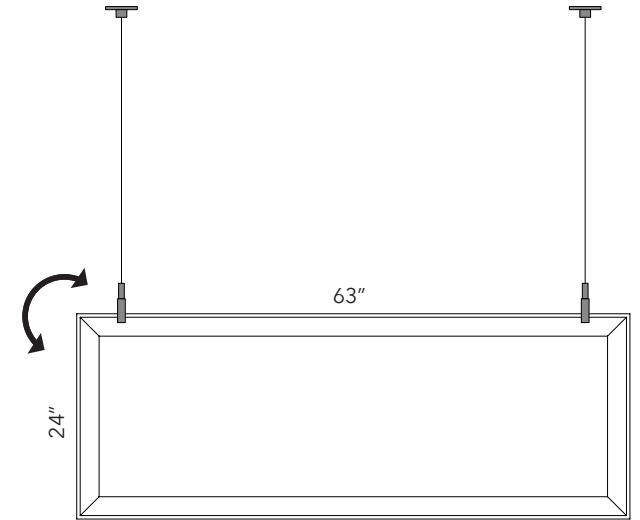
Special Order Colors Require:

- Minimum order quantity
- Lead time up to 10-12 weeks

Kit includes: (1) 24 x 63 inch panel, (2) chrome ceiling plates, (2) steel cables, (2) adjustable cable locks, (2) panel fasteners



ADJUSTABLE CABLE LOCK, ADJUSTS THE HEIGHT UP TO 157"



WEIGHT:
7.45 lbs.

