

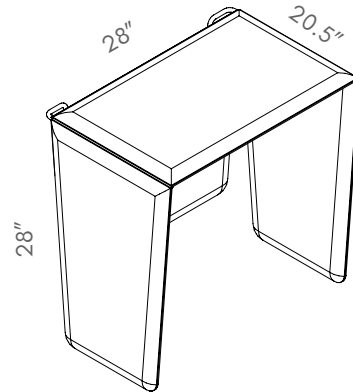


DESIGN: CAIMI LAB

# CUBBY

## CUBBY 28" L x 28" W x 20.5" D

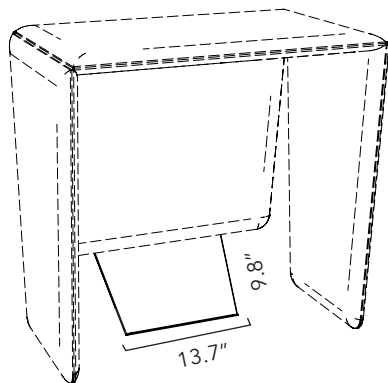
STANDARD COLORS	COLOR	PART #	COLOR	PART #
	RED	40020097		SILVER GRAY 40020098



CUBBY is a comfortable phone booth composed of panels with sound-absorbing polyester foam covered in an external sound-absorbing polyester fabric which can be easily cleaned. It also features an independent load-bearing angled shelf in powder coated steel. The soft side-panels can move freely if bumped.

### ANGLED SHELF FOR CUBBY - OPTIONAL

PART #	QTY	COLOR
40021090	1	SILVER



- Polyester internal padding with Snowsound technology, polyester covering in Trevira CS® fabric
- Single material and 100% recyclable
- Eco friendly - Greenguard Gold
- Durable, tackable double-sided surface
- Class A fire and smoke safety (UL 723/ASTM E84)
- CAL 133, 117 pass
- Sleek profile
- Wall mountable