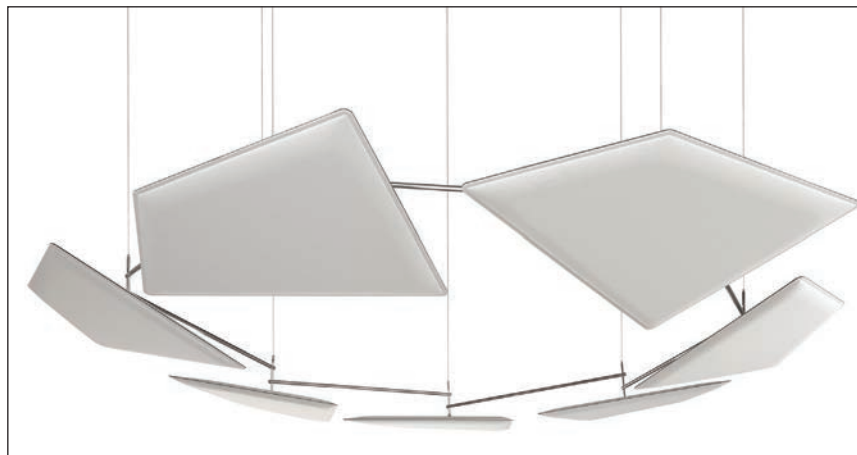


NEW



- Polyester internal padding with Snowsound technology, polyester covering in Trevira CS® fabric
- Single material and 100% recyclable
- Eco friendly - Greenguard Gold
- Durable, tackable double-sided surface
- Patented variable density composition
- Class A sound absorption with NRC 1.0 (ISO 354/ASTM C423/ISO 11654)
- Absorbs 94% of human speech frequencies
- Class A fire and smoke safety (UL 723/ASTM E84)
- CAL 133, 117 pass
- Sleek profile at only 1.4" thick
- Ceiling suspended
- Tilts and rotates
- Modular
- CE certified for ceiling application

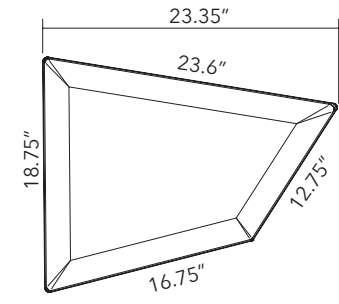
FLAP CHAIN

FLAP CHAIN is an infinitely modular ceiling suspended frame application for the FLAP and FLAP GRANDE panels. Complete with chrome-plated rod and cable height adjustment system, the FLAP CHAIN application suspends the panels in various designs. Equipped with Kit for the ceiling fixing composed of: ceiling plate with 2 holes and steel cable. The panels can be tilted in any direction and can rotate 360 degrees.

FLAP CHAIN 19"x 23" - KIT INCLUDES (7.8" ARM)

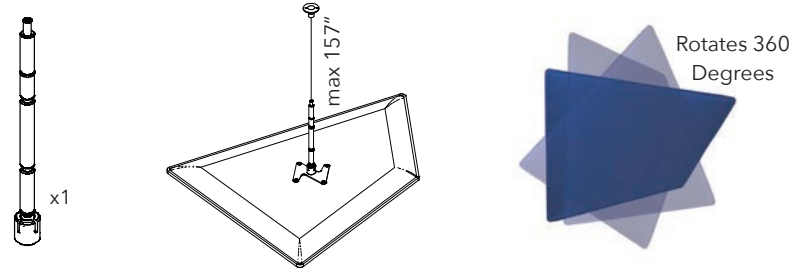
STANDARD COLORS	COLOR	PART #	COLOR	PART #	COLOR	PART #	COLOR	PART #			
	WHITE	40023095		OLIVE GREEN	40023106		RED	40023100		BLUE	40023102
	SILVER GRAY	40023096		BEIGE	40023097		SUN YELLOW	40023098		DOVE GRAY	40023104
	CARROT ORANGE	40023099		CHARCOAL GRAY	40023105		APPLE GREEN	40023101		BLACK	40023103

NEW



WEIGHT:
2.26 lbs.

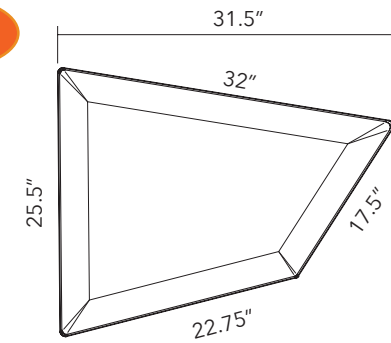
Ceiling Kit includes: (1) panel, (1) cable, (1) ceiling plate and (1) 7.8" arm



FLAP CHAIN GRANDE 26"x 32" - KIT INCLUDES (7.8" ARM)

STANDARD COLORS	COLOR	PART #	COLOR	PART #	COLOR	PART #	SPECIAL ORDER	COLOR	PART #		
	WHITE	40023107		OLIVE GREEN	40023118		BLUE	40023114		SUN YELLOW	40023110
	SILVER GRAY	40023108		DOVE GRAY	40023116		BLACK	40023115		BEIGE	40023109
	CARROT ORANGE	40023111		APPLE GREEN	40023113						
	CHARCOAL GRAY	40023117		RED	40023112						

NEW

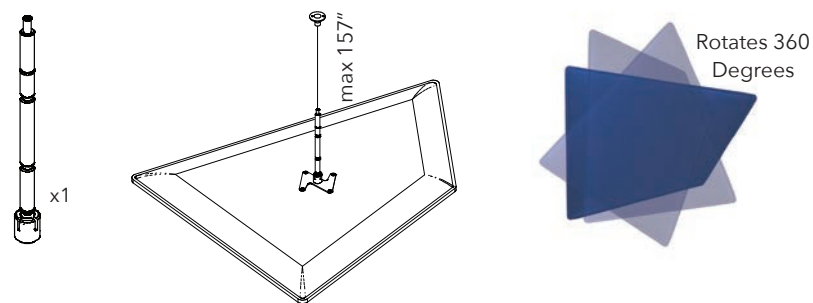


WEIGHT:
3.5 lbs.

Special Order Colors Require:

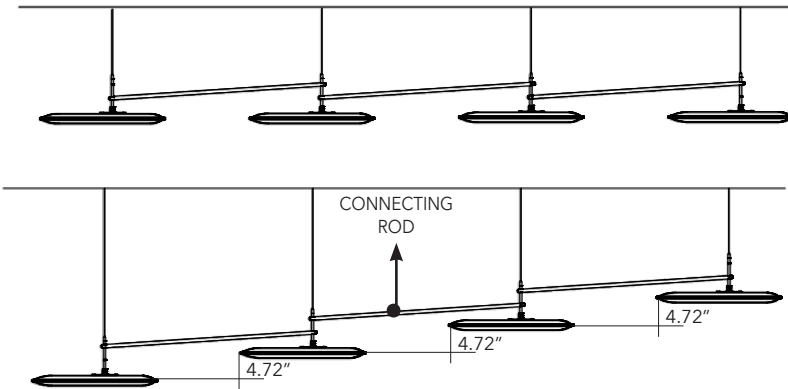
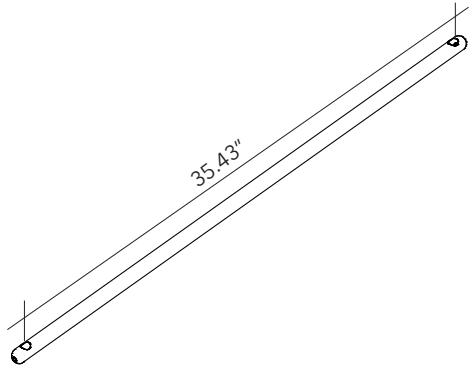
- Minimum order quantity
- Lead time up to 10-12 weeks

Ceiling Kit includes: (1) panel, (1) cable, (1) ceiling plate and (1) 7.8" arm



FLAP CHAIN - STEEL CONNECTING ROD

PANEL SIZE	PART #	QTY	COLOR
BOTH SIZES	40025161	1 ROD	CHROME PLATED

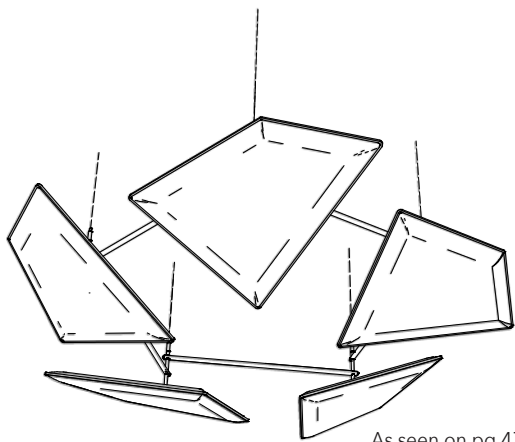


NEW

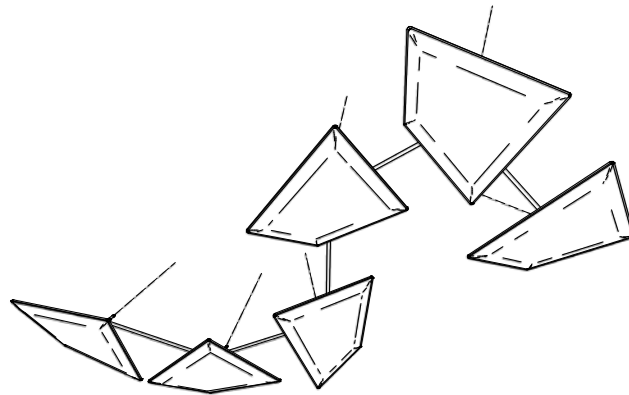


NOTE: Flap Chain arrangement is compatible with both FLAP sizes: Standard and Grande. Panels on the chain system can be mixed with both sizes or all the same.

FLAP CHAIN EXAMPLE LAYOUTS



As seen on pg.47



As seen on pg.47

