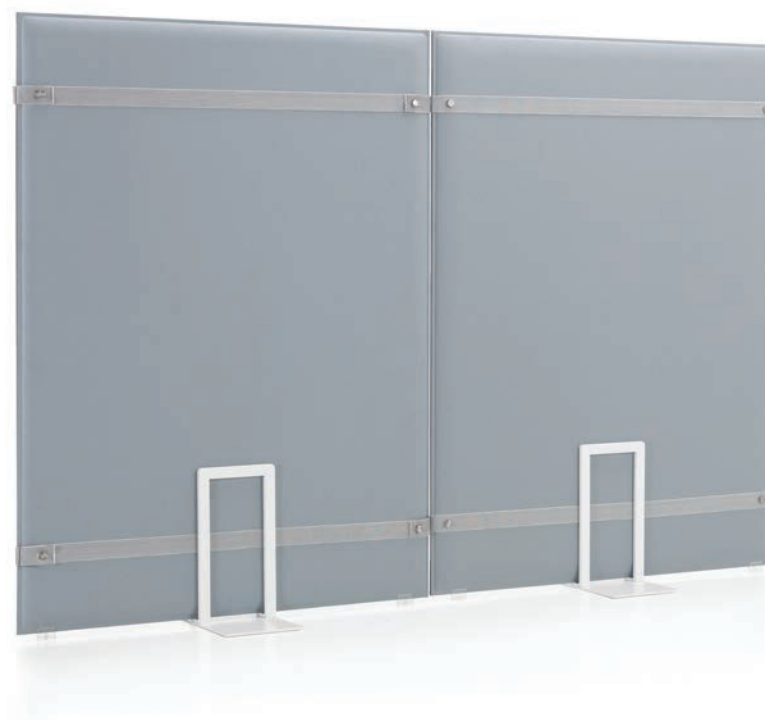








PLI OVERSIZE

The OVERSIZE system is characterized by the large size acoustic panel proportion made with Snowsound® technology. Panels serve as double-sided free-standing 1.0 NRC partitions.



- Polyester internal padding with Snowsound technology, polyester covering in Trevira CS® fabric
- Single material and 100% recyclable
- Eco friendly - Greenguard Gold
- Durable, tackable double-sided surface
- Patented variable density composition
- Class A sound absorption with NRC 1.0 (ISO 354/ASTM C423/ISO 11654)
- Absorbs 94% of human speech frequencies
- Class A fire and smoke safety (UL 723/ASTM E84)
- CAL 133, 117 pass
- Sleek profile at only 1.4" thick
- Free standing

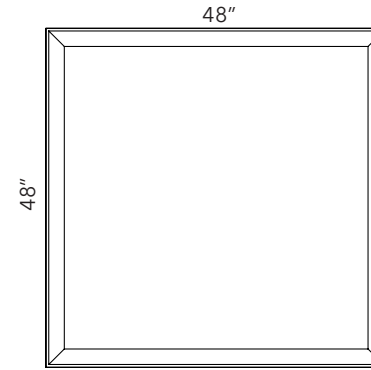
PLI OVERSIZE - SIZE 48" x 48" PANEL ONLY

STANDARD COLORS	COLOR	PART #	COLOR	PART #
	WHITE	40025042		DOVE GRAY 40025044
	SILVER GRAY	40025043		CHARCOAL GRAY 40025082

Full color range is available for order.

Requires:

- Minimum order quantity
- Lead time up to 10-12 weeks
- Refer to page 6 for full color range



PLEASE SPECIFY PANEL STAND SEPARATELY
REFER TO PAGE: 29

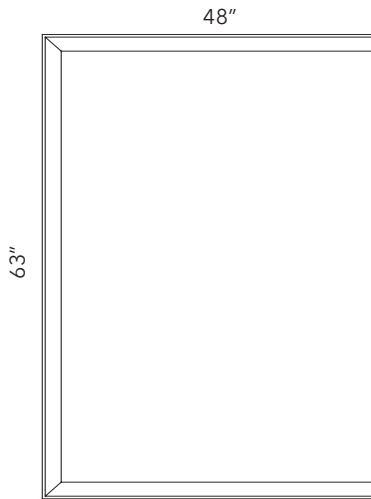
PLI OVERSIZE - SIZE 48" x 63" PANEL ONLY

STANDARD COLORS	COLOR	PART #	COLOR	PART #
	WHITE	40025045		DOVE GRAY 40025047
	SILVER GRAY	40025046		CHARCOAL GRAY 40025080

Full color range is available for order.

Requires:

- Minimum order quantity
- Lead time up to 10-12 weeks
- Refer to page 6 for full color range



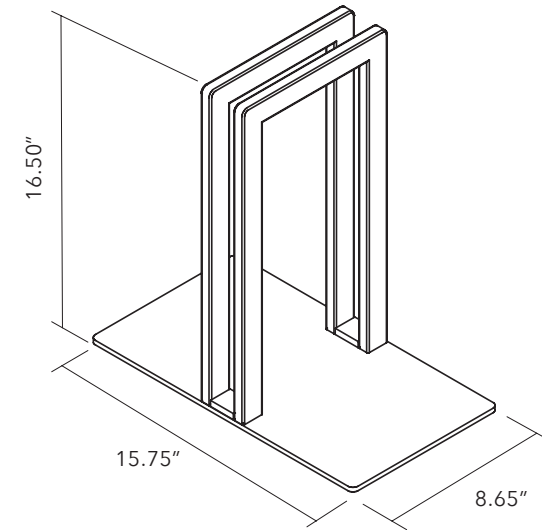
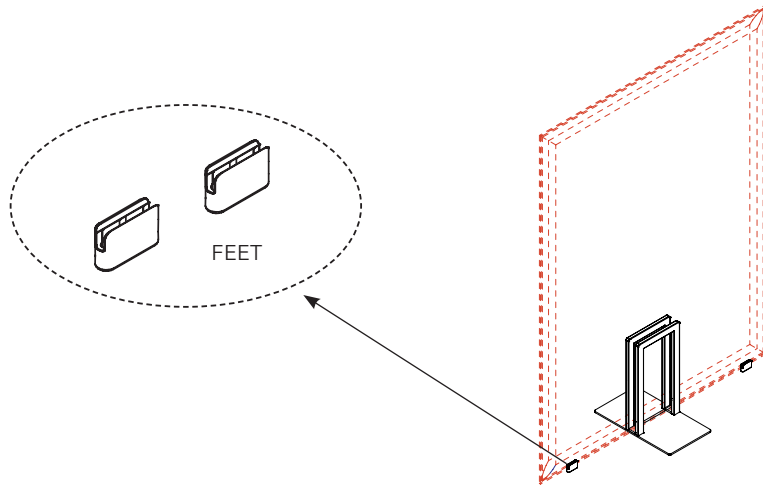
PLEASE SPECIFY PANEL STAND SEPARATELY
REFER TO PAGE: 29

DESIGN: MARC SADLER

PLI OVERSIZE

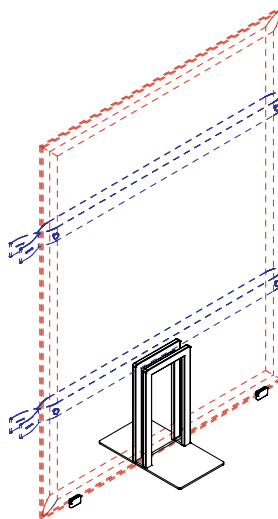
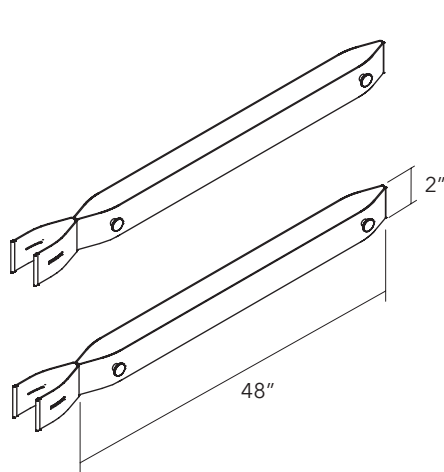
PLI OVERSIZE STAND - POWDER COATED STEEL STAND

PANEL SIZE	PART #	QTY	COLOR
BOTH SIZES	40025123	1 STAND, 2 FEET	SILVER GRAY
BOTH SIZES	40025122	1 STAND, 2 FEET	MATTE WHITE



PLI OVERSIZE STRAPS - STRAPS OPTIONAL

PANEL SIZE	PART #	QTY	COLOR
BOTH SIZES	40025133	1 SET OF STRAPS	SILVER



Silver

