



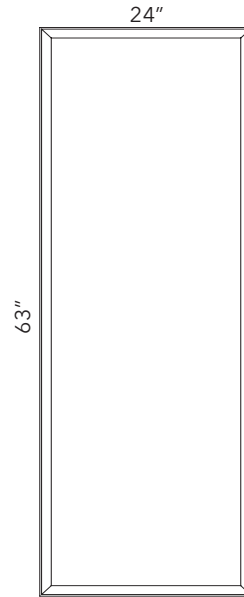
- Polyester internal padding with Snowsound® technology, polyester covering in Trevira CS® fabric
- Single material and 100% recyclable
- Eco friendly - Greenguard Gold
- Durable, tackable double-sided surface
- Patented variable density composition
- Class A sound absorption with NRC 1.0 (ISO 354/ASTM C423/ISO 11654)
- Absorbs 94% of human speech frequencies
- Class A fire and smoke safety (UL 723/ASTM E84)
- CAL 133, 117 pass
- Sleek profile at only 1.4" thick
- Free standing

### PLI

PLI Panel with polyester internal padding with Snowsound® technology variable density. Polyester covering in Trevira CS® Fabric. To be used with pair of elastic straps for connecting multiple panels together.

**PLI 24"x 63"** - INDIVIDUAL PANEL ONLY

STANDARD COLORS	COLOR	PART #	COLOR	PART #	SPECIAL ORDER	COLOR	PART #	
	WHITE	40025002		OLIVE GREEN	40020058		RED	40020057
	SILVER GRAY	40025001		BEIGE	40020055		SUN YELLOW	40020056
	CARROT ORANGE	40025006		DOVE GRAY	40025004		APPLE GREEN	40020059
	CHARCOAL GRAY	40025003		BLUE	40025005		BLACK	40020060

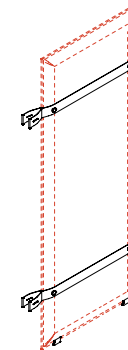
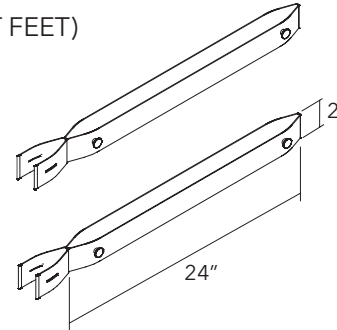


**Special Order Colors Require:**

- Minimum order quantity
- Lead time up to 10-12 weeks

**PLI STRAPS** - PAIR OF CONNECTION STRAPS (WITH SMALL SUPPORT FEET)

PANEL SIZE	PART #	QTY	COLOR
24"x 63"	40025135	1 SET	BLACK
24"x 63"	40025134	1 SET	SILVER
24"x 63"	40025136	1 SET	BROWN



EACH SET OF CONNECTION STRAPS AND SUPPORT FEET ARE FOR 1 PLI PANEL

**PLI SUPPORT BASE** - (WITH SMALL SUPPORT FEET)

PANEL SIZE	PART #	QTY	COLOR
24" x 63"	40024029	1	CHROME

BASE AND SUPPORT FEET ARE FOR 1 PLI PANEL

