



Fiber 1 - 0001 - White



Fiber 1 - 8004 - Silver Gray



Fiber 1 - 1008 - Beige



Fiber 1 - 2005 - Dove Gray



Fiber 1 - 4027 - Red



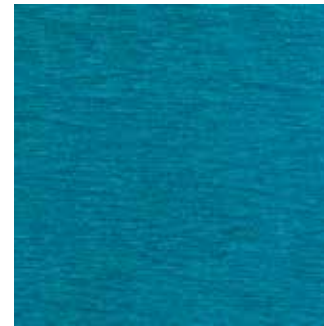
Fiber 6 Velvet - 605 - Cream



Fiber 6 Velvet - 606 - Powder Pink



Fiber 6 Velvet - 610 - Mustard Gold



Fiber 6 Velvet - 603 - Teal



Fiber 6 Velvet - 600 - Red



Fiber 3 Melange - 300 - Gray Ice



Fiber 3 Melange - 305 - Azure



Fiber 3 Melange - 310 - Gray Gold



Fiber 3 Melange - 309 - Gray Green



Fiber 3 Melange - 306 - Gray Burgundy

Note: For FIBER products, please refer to product pages 106 -124 in price list or specifications catalog for details and availability. Physical swatch samples / memo samples available upon request.

NEW



CLASP WALL / CEILING





In the CLASP WALL and CLASP CEILING, the Snowsound Fiber acoustic textiles is fixed to simple steel buckles. The textile panel can be easily removed from the structure thanks to a hidden system in the upper edge, while the lower edge houses a chrome-plated steel rod fixed with two visible chrome-plated pins. CLASP can be hung from the ceiling or fixed to the wall. The fabric is supported by a chrome-plated metal frame, available in the wall version and on cables fastened to the ceiling with a height adjustment mechanism. The fabric slipcover is removable.

- Single material and 100% recyclable
- Eco friendly - Greenguard Gold
- Class A sound absorption with (ISO 354)
- Machine washable up to 140 degrees F.
- Class A fire and smoke safety (UL 723/ASTM E84)
- CAL 133, 117 pass
- Wall/ceiling mounted

NEW





CLASP WALL KIT - 51" W x 43.3" H

FIBER 3 MELANGE FABRIC, WALL MOUNTING FRAME AND LOWER BAR

STANDARD COLORS	COLOR	PART #	STANDARD COLORS	COLOR	PART #
	300 GRAY ICE	40041027		306- GRAY BURGUNDY	40041029
	305 AZURE	40041028		310 GRAY GOLD	40041030





CLASP WALL KIT - 51" W x 75" H

FIBER 3 MELANGE TEXTILE, WALL MOUNTING FRAME AND LOWER BAR

STANDARD COLORS	COLOR	PART #	STANDARD COLORS	COLOR	PART #
	300 GRAY ICE	40041031		306- GRAY BURGUNDY	40041033
	305 AZURE	40041032		310 GRAY GOLD	40041034





CLASP CEILING KIT - 51" W x 52.75" H

FIBER 3 MELANGE TEXTILE, WALL MOUNTING FRAME, LOWER BAR AND 2 CEILING PLATES WITH 2 CABLES

STANDARD COLORS	COLOR	PART #	STANDARD COLORS	COLOR	PART #
	300 GRAY ICE	40037038		306- GRAY BURGUNDY	40037040
	305 AZURE	40037039		310 GRAY GOLD	40037041

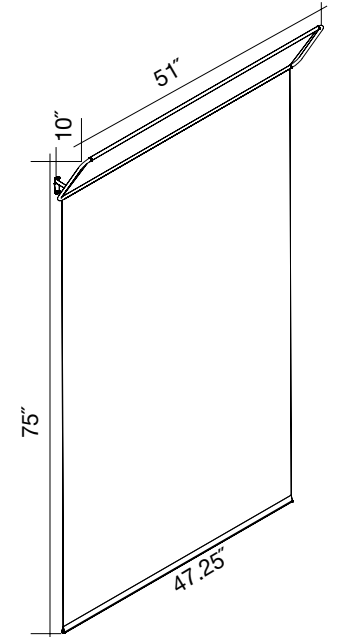
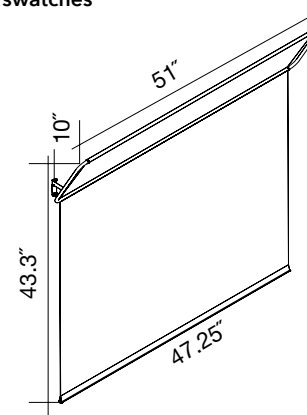
CLASP CEILING KIT - 51" W x 84.25" H

FIBER 3 MELANGE TEXTILE, WALL MOUNTING FRAME, LOWER BAR AND 2 CEILING PLATES WITH 2 CABLES

STANDARD COLORS	COLOR	PART #	STANDARD COLORS	COLOR	PART #
	300 GRAY ICE	40037034		306- GRAY BURGUNDY	40037036
	305 AZURE	40037035		310 GRAY GOLD	40037037

Snowsound **Fiber 3 Melange** sound absorbing fabric. Chrome-plated steel wall mounting frame. Lower stiffening bar. Removable and washable fabric.

* Refer to page 105 for larger swatches

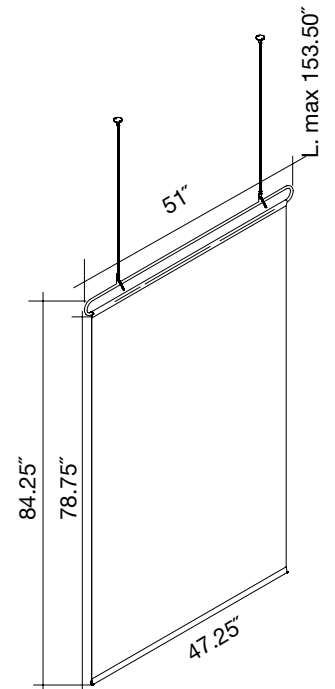
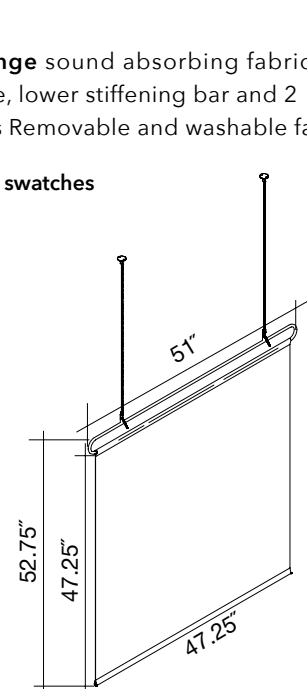


NOT AVAILABLE FOR QUICK SHIP

• Lead time up to 10-12 weeks

Snowsound **Fiber 3 Melange** sound absorbing fabric. Chrome-plated steel frame, lower stiffening bar and 2 ceiling plates with 2 cables Removable and washable fabric.

* Refer to page 105 for larger swatches



NOT AVAILABLE FOR QUICK SHIP

• Lead time up to 10-12 weeks