



### CORNER

The CORNER system uses Snowsound® patented acoustic panels to divide work spaces by creating a visual barrier while optimizing acoustic comfort. The ultra-thin 35 mm panels are coupled with desk mounting hardware that seamlessly connects the panel's "corners". This system can be retrofitted to existing spaces or specified as an architectural element in the design phase.

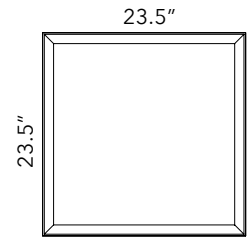
- Polyester internal padding with Snowsound technology, polyester covering in Trevira CS® fabric
- Single material and 100% recyclable
- Eco friendly - Greenguard Gold
- Durable, tackable double-sided surface
- Patented variable density composition
- Class A sound absorption with NRC 1.0 (ISO 354/ASTM C423/ISO 11654)
- Absorbs 94% of human speech frequencies
- Class A fire and smoke safety (UL 723/ASTM E84)
- CAL 133, 117 pass
- Sleek profile at only 1.4" thick
- Desk mounted

**CORNER 23.5" x 23.5" - PANEL ONLY**

STANDARD COLORS	COLOR	PART #	SPECIAL ORDER	COLOR	PART #	SPECIAL ORDER	COLOR	PART #	SPECIAL ORDER	COLOR	PART #
	WHITE	40025140		OLIVE GREEN	40025213		CARROT ORANGE	40025211		SLATE BLUE	40025296
	SILVER GRAY	40025141		BEIGE	40025207		RED	40025210		DOVE GRAY	40025208
	CHARCOAL GRAY	40025142		SUN YELLOW	40025209		RUSTIC BRICK	40025288		DARK TEAL	40025304

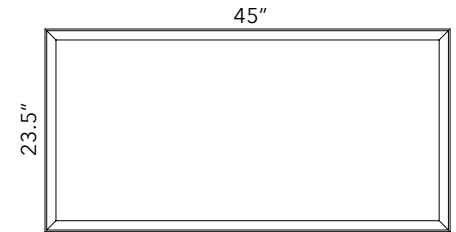
FOR ALL PANEL SIZES, SPECIAL ORDER COLORS REQUIRE:

- Minimum order quantity
- Lead time up to 10-12 weeks



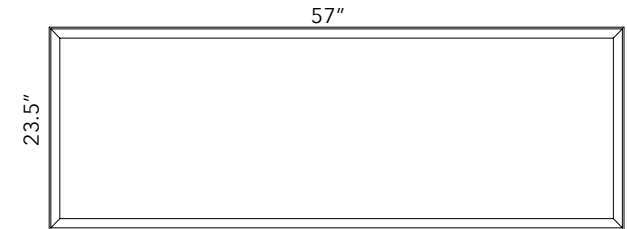
**CORNER 23.5" x 45" - PANEL ONLY**

STANDARD COLORS	COLOR	PART #	SPECIAL ORDER	COLOR	PART #	SPECIAL ORDER	COLOR	PART #	SPECIAL ORDER	COLOR	PART #
	WHITE	40025143		OLIVE GREEN	40025204		CARROT ORANGE	40025202		SLATE BLUE	40025297
	SILVER GRAY	40025144		BEIGE	40025198		RED	40025201		DOVE GRAY	40025199
	CHARCOAL GRAY	40025145		SUN YELLOW	40025200		RUSTIC BRICK	40025289		DARK TEAL	40025305



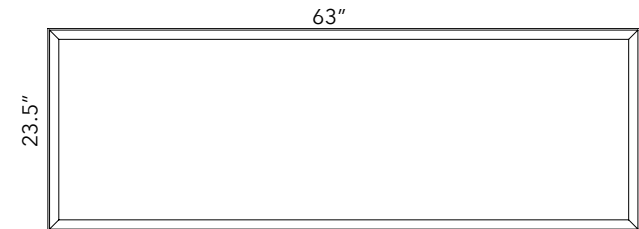
**CORNER 23.5" x 57" - PANEL ONLY**

STANDARD COLORS	COLOR	PART #	SPECIAL ORDER	COLOR	PART #	SPECIAL ORDER	COLOR	PART #	SPECIAL ORDER	COLOR	PART #
	WHITE	40025146		OLIVE GREEN	40025222		CARROT ORANGE	40025220		SLATE BLUE	40025298
	SILVER GRAY	40025147		BEIGE	40025216		RED	40025219		DOVE GRAY	40025217
	CHARCOAL GRAY	40025148		SUN YELLOW	40025218		RUSTIC BRICK	40025290		DARK TEAL	40025306



**CORNER 23.5" x 63" - PANEL ONLY**

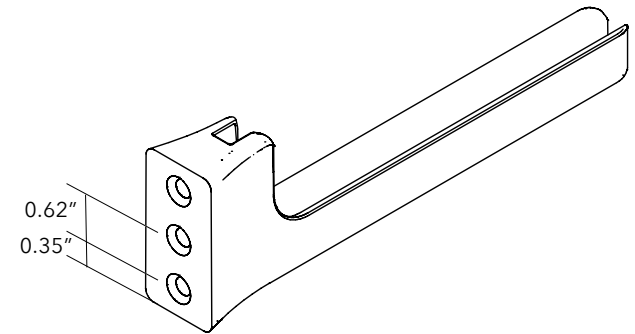
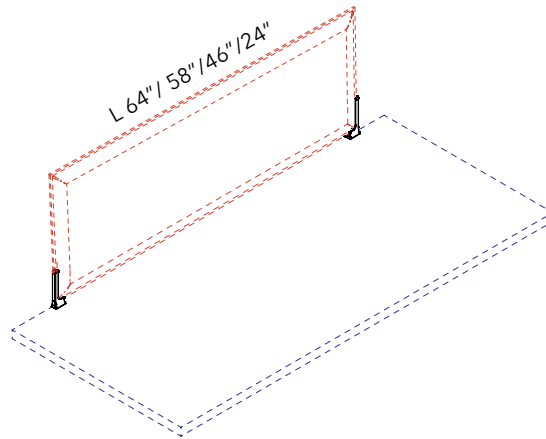
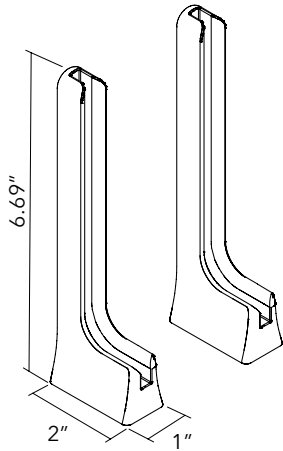
STANDARD COLORS	COLOR	PART #	STANDARD COLORS	COLOR	PART #	STANDARD COLORS	COLOR	PART #	SPECIAL ORDER	COLOR	PART #
	WHITE	40025002		OLIVE GREEN	40020058		RED	40020057		RUSTIC BRICK	40025287
	SILVER GRAY	40025001		BEIGE	40020055		SUN YELLOW	40020056		SLATE BLUE	40025295
	CHARCOAL GRAY	40025003		* BLUE Limited stock availability (D/C)	40025005		DOVE GRAY	40025004		DARK TEAL	40025303
	CARROT ORANGE	40025006									



PLEASE NOTE: Please call your local representative for special order color inquiries/ stock levels.

**CORNER BRACKETS** - PAIR OF DIRECT MOUNT BRACKETS FIXED TO DESK TOP

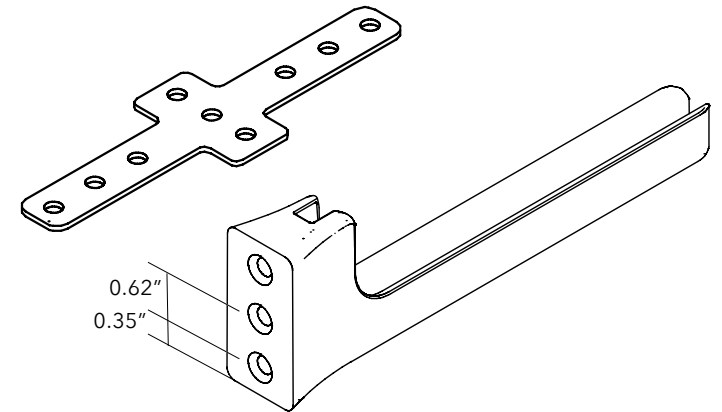
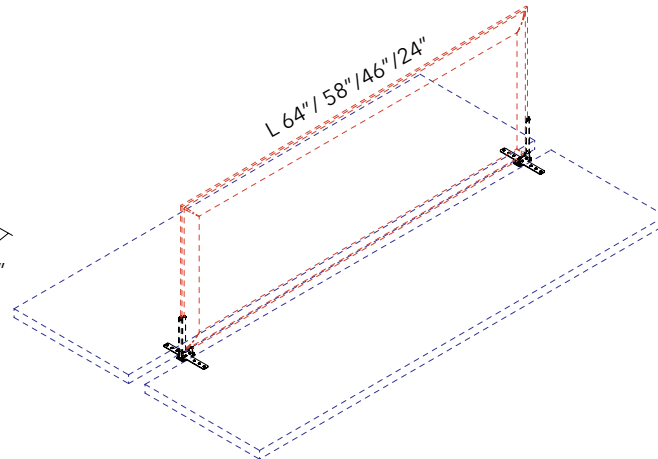
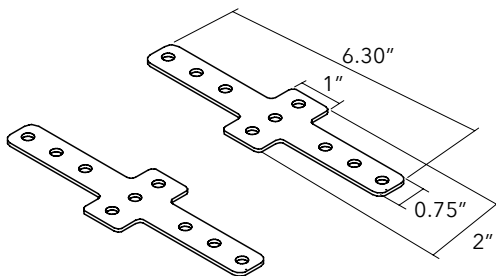
PANEL SIZE	PART #	QTY	FINISH
FITS ALL SIZES	40025007	1 PAIR	SILVER GRAY
FITS ALL SIZES	40025008	1 PAIR	MATTE WHITE



Pair of direct mount brackets in powder-coated zamac to be fixed to desktop with screws (screws not included).

**CORNER BRACKETS** - PAIR OF BRIDGE BRACKETS TO USE BETWEEN 2 DESKS

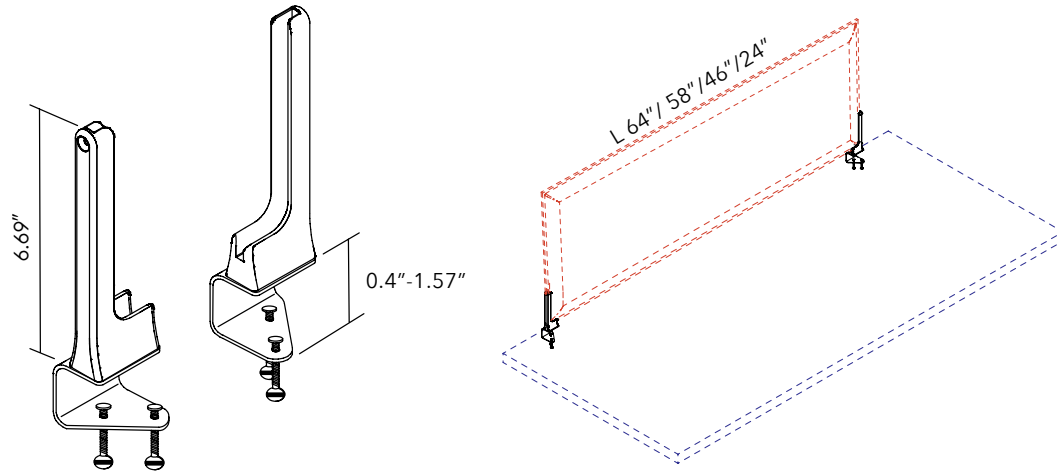
PANEL SIZE	PART #	QTY	FINISH
FITS ALL SIZES	40025016	1 PAIR	SILVER GRAY
FITS ALL SIZES	40025017	1 PAIR	MATTE WHITE



Pair of bridge brackets to use corner panel between 2 desks. To be used with brackets above. (Part #40025007 silver gray or #40025008 matte white).

**CORNER BRACKETS** - PAIR OF CLAMP BRACKETS

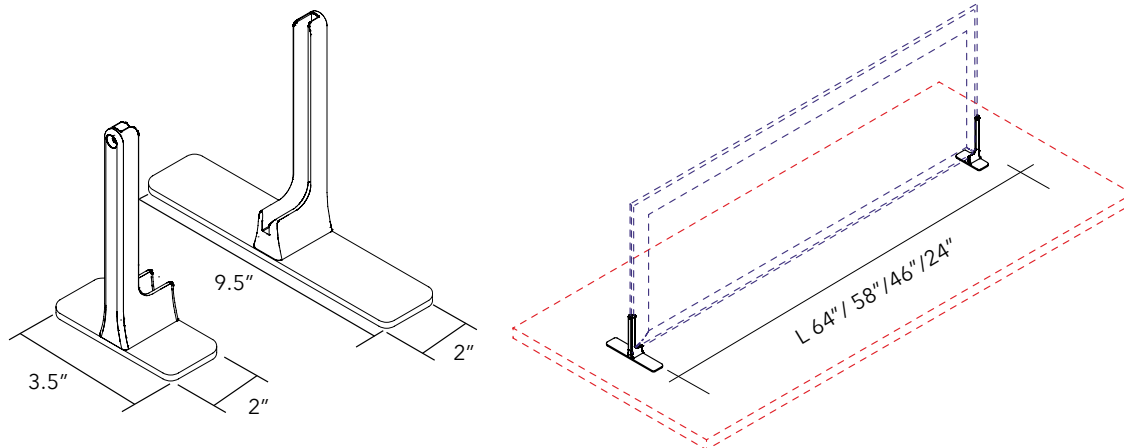
PANEL SIZE	PART #	QTY	FINISH
FITS ALL SIZES	40025067	1 PAIR	SILVER GRAY
FITS ALL SIZES	40025066	1 PAIR	MATTE WHITE



Pair of brackets with clamp connection in powder-coated steel and zamac for connection to the desktop. Available in matte white or silver gray.

**CORNER BRACKETS** - PAIR OF FREE STANDING BASES FOR DESK TOPS (SHORT & LONG)

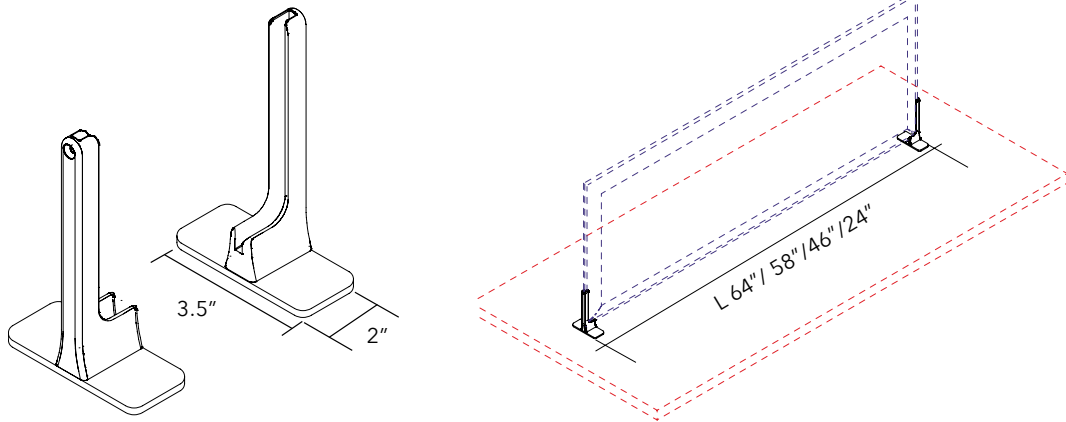
PANEL SIZE	PART #	QTY	FINISH
FITS ALL SIZES	40025103	1 PAIR	SILVER GRAY
FITS ALL SIZES	40025104	1 PAIR	MATTE WHITE



New CORNER hardware includes two different size desktop brackets with weighted base plates for free-standing applications. The two sizes differ in the length of the supporting feet.

**CORNER BRACKETS** - PAIR OF FREE STANDING BASES FOR DESK TOPS (SHORT)

PANEL SIZE	PART #	QTY	FINISH
FITS ALL SIZES	40025095	1 PAIR	SILVER GRAY
FITS ALL SIZES	40025149	1 PAIR	MATTE WHITE

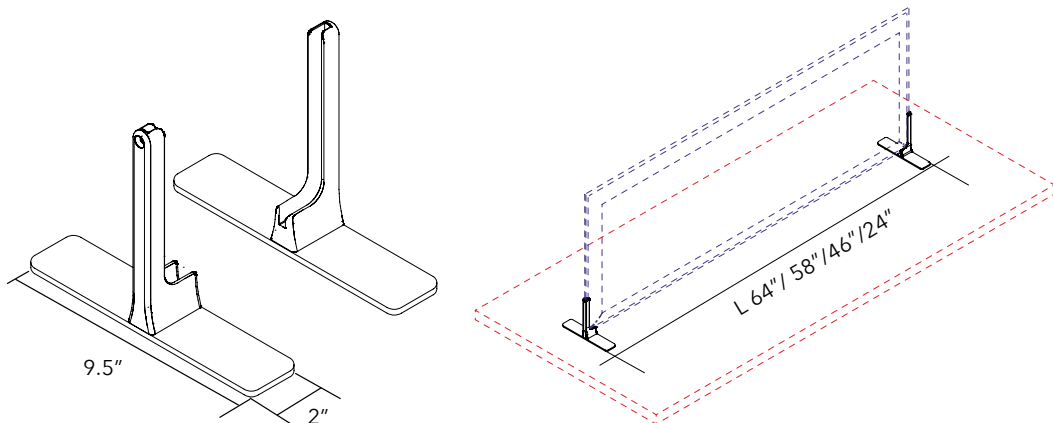


Pair of free-standing brackets with weighted bases in powder-coated steel are used as desktop dividers.

Available in matte white or silver gray.

**CORNER BRACKETS** - PAIR OF FREE STANDING BASES FOR DESK TOPS (LONG)

PANEL SIZE	PART #	QTY	FINISH
FITS ALL SIZES	40025150	1 PAIR	SILVER GRAY
FITS ALL SIZES	40025151	1 PAIR	MATTE WHITE



Pair of free-standing brackets with weighted bases in powder-coated steel are used as desktop dividers.

Available in matte white or silver gray.

NEW

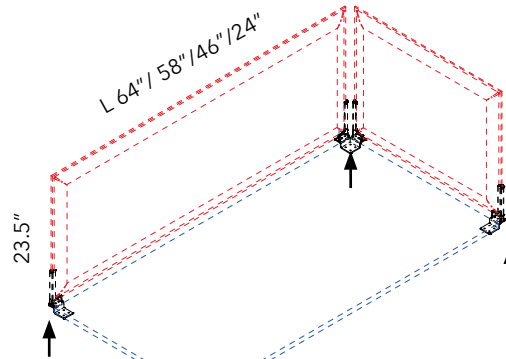
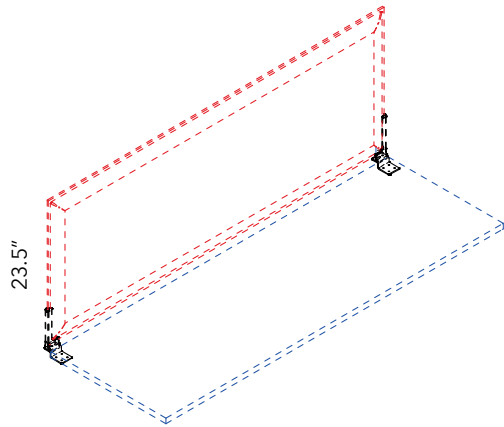
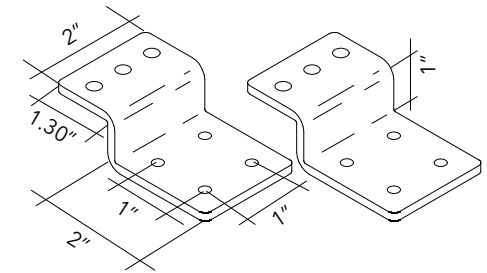
### CORNER BRACKETS

PAIR OF DIRECT MOUNT BRACKETS FIXED TO DESKTOP

PANEL SIZE	PART #	QTY	FINISH
FITS ALL SIZES	40025262	1 PAIR	SILVER GRAY
FITS ALL SIZES	40025263	1 PAIR	MATTE WHITE

NOT AVAILABLE FOR QUICK SHIP

- Minimum order quantity
- Lead time up to 10-12 weeks



### CORNER BRACKETS

PAIR OF DIRECT MOUNT BRACKETS TO USE IN A CORNER OF DESKTOP

PANEL SIZE	PART #	QTY	FINISH
FITS ALL SIZES	40025260	1 PAIR	SILVER GRAY
FITS ALL SIZES	40025261	1 PAIR	MATTE WHITE

NOT AVAILABLE FOR QUICK SHIP

- Minimum order quantity
- Lead time up to 10-12 weeks

