

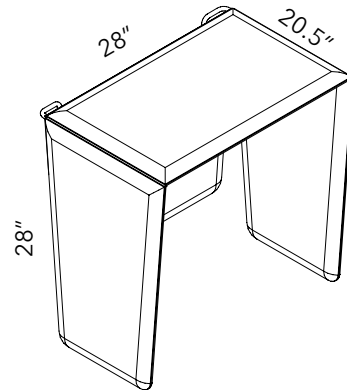


**CUBBY 28" L x 28" W x 20.5" D - KIT**

| STANDARD COLORS  | COLOR | PART #   | STANDARD COLORS   | COLOR       | PART #   |
|--|-------|----------|---|-------------|----------|
|  | RED   | 40020097 |  | SILVER GRAY | 40020098 |



CUBBY is a comfortable phone booth composed of panels with sound-absorbing polyester foam covered in an external sound-absorbing polyester fabric which can be easily cleaned. It also features an independent load-bearing angled shelf in powder coated steel. The soft side-panels can move freely if bumped.

**ANGLED SHELF FOR CUBBY - OPTIONAL**

| PART #   | QTY | FINISH |
|----------|-----|--------|
| 40021090 | 1   | SILVER |

- Polyester internal padding with Snowsound technology, polyester covering in Trevira CS® fabric
- Single material and 100% recyclable
- Eco friendly - Greenguard Gold
- Durable, tackable double-sided surface
- Class A fire and smoke safety (UL 723/ASTM E84)
- CAL 133, 117 pass
- Sleek profile
- Wall mountable

